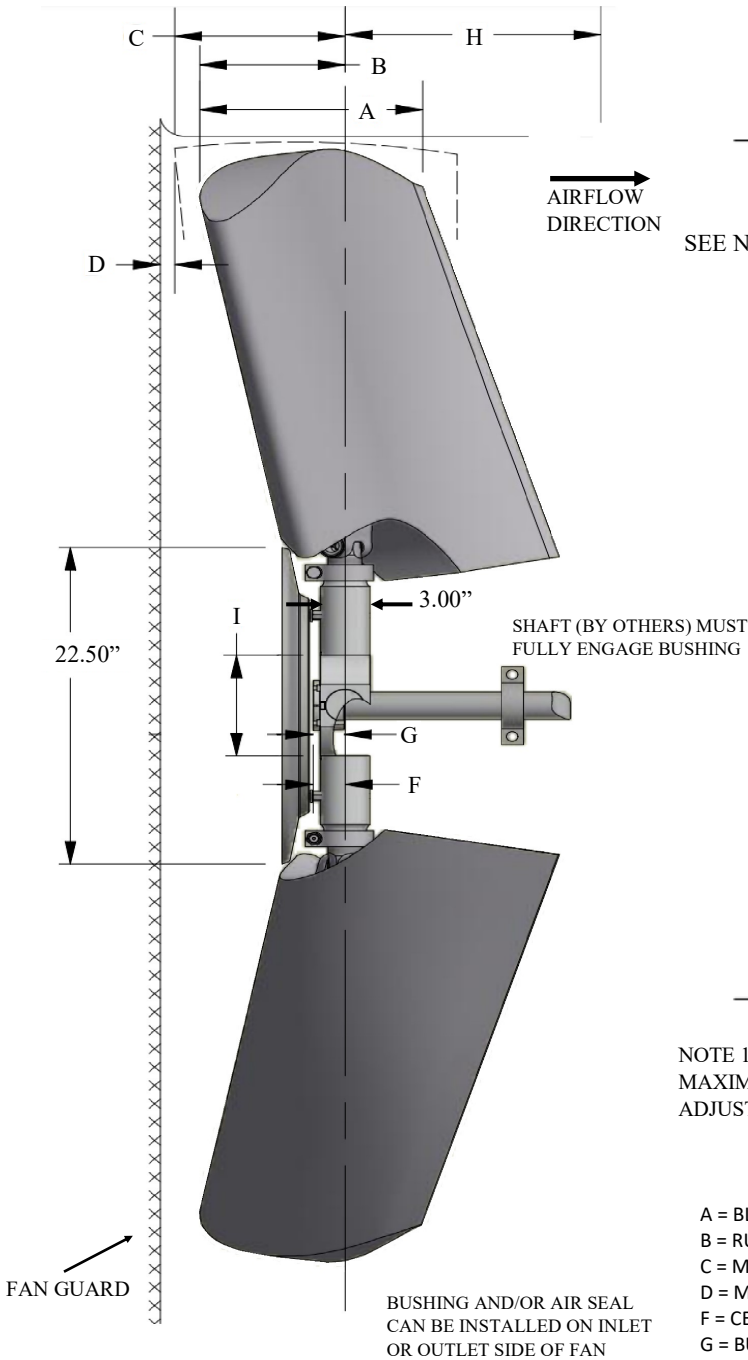


# CLASS 10000 MAG SERIES 24

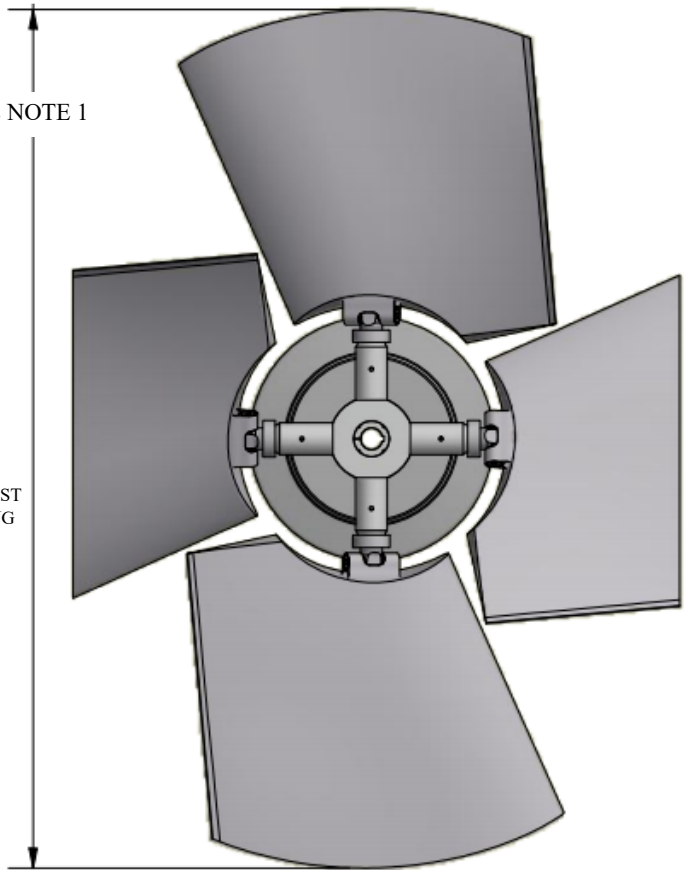
## LH ROTATION



COUNTER-CLOCKWISE ROTATION  
(FAN BLOWING IN OBSERVER'S FACE)  
STANDARD LEFT HAND FAN



SEE NOTE 1



NOTE 1:  
MAXIMUM FAN DIAMETER EQUALS NOMINAL FAN DIAMETER.  
ADJUSTMENT OF ±1.5 INCHES POSSIBLE AT INSTALLATION

- A = BLADE TIP THICKNESS @ 30° BLADE ANGLE
- B = RUNNING POSITION OF BLADES
- C = MAXIMUM DROOP POSITION OF BLADES
- D = MINIMUM OBSTACLE CLEARANCE AT INLET
- F = CENTERLINE OF FAN TO BASE OF BUSHING
- G = BUSHING OVERALL HEIGHT
- H = MINIMUM OBSTACLE CLEARANCE AT OUTLET
- I = NOMINAL MECHANICAL HUB DIAMETER
- L = MAXIMUM BUSHING TORQUE FT. LBS.
- # = WITH S.A.E. STANDARD SQUARE KEYWAY
- \* = WITH SHALLOW KEYWAY IN BUSHING
- o = MAX METRIC BORE WITH STANDARD KEYWAY

WITH FAN OPERATING AT  
12000 FT/MINUTE BLADE TIP SPEED

PERCENT BLADE  
LOADING

		100%	75%
B			

DIA	A	B		C	D	H
5.0'	19.3"	13.1"	13"	13.5	6.0"	16.5"
5.5'	19.3"	0.9"	0.7"	1.2"	6.0"	16.5"
6.0'	19.3"	1.2"	0.9"	1.7"	6.0"	16.5"
7.0'	19.3"	2.0"	1.5"	2.9"	6.0"	16.5"

MAX BLADES	BUSHING TYPE	MAX # BORE	MAX * BORE	MAX o BORE	I	F	G	L
5	U	2.75"	2.938"	75	12"	2.9"	2.7"	4000